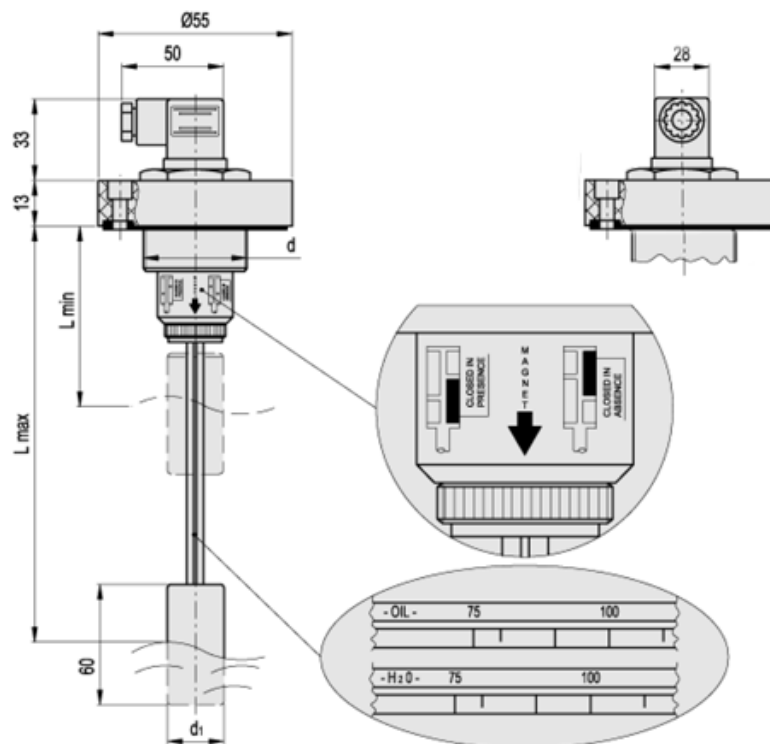


Article number: 231111278

Description: E+G Level indicator / flange/thread
HFLT-E+3F-1+a L=360 mm / min 85 mm

Measures



d	= G 1
d1	= 30
Electric Contact	= NO Normally open / NC Normally closed
Length max	= 360
Length min	= 85
Note	= See data-sheet under Documents
Voltage	= 100VDC 150VAC 1A 10W 10VA
Weight (g)	= 110